



DESIGN REQUEST FORM

NAME

EMAIL

PHONE #

PROJECT NAME #

OFFICE USE

DESIGN INFORMATION (FOR ADDITIONAL SELECTIONS, INDICATE ON FLOOR PLAN)

DOOR STYLE

ACCENT DOOR STYLE

CABINET HEIGHT

30" High Uppers

35" High Uppers

MOLDING SELECTION

Crown Molding

Light Rail

WHAT TO INCLUDE WITH YOUR REQUEST

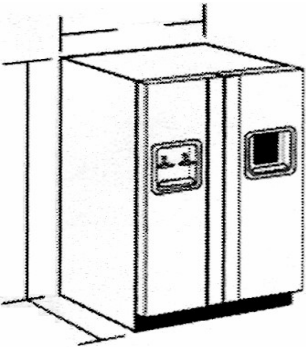
1. A detailed floor plan indicating wall, window and door dimensions including moldings.
2. A layout of the cabinets required. If you are uncertain, we will design the area for you.
3. All appliance specifications. If not included, we will design with the following dimensions:
Fridge 33"W x 70"H x 33"D, Stove 30"W, Dishwasher 24"W, Sink 30"W, OTR Microwave 30"W.

DESIGNER NOTES

APPLIANCE INFORMATION

Use this page to provide the dimensions of your appliances or appliance cut-outs

Refrigerator Model No.

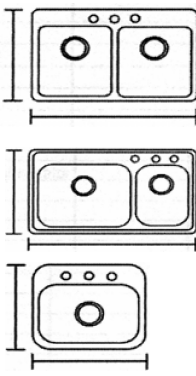


W _____
 H _____
 D _____

Double Door
 Single Door

Left Right

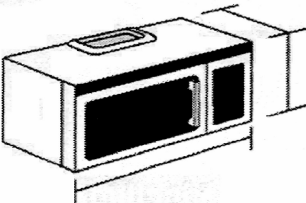
Sink Model No.



Single
 1-1/2
 Double

W _____
 D _____

Microwave Model No.

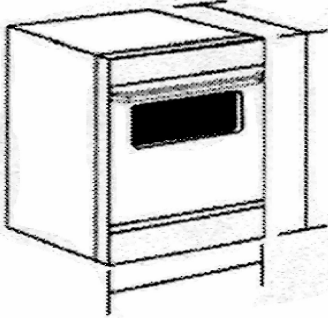


W _____
 H _____
 D _____

Free Standing
 Built-in (Cut-out)
 Over Range

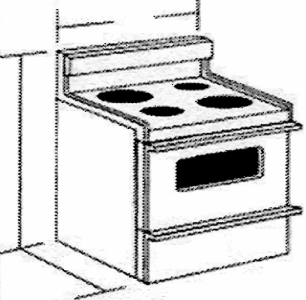
Model No.

Single Oven
(Cut-out Dimensions)



W _____
 H _____
 D _____

Range Model No.

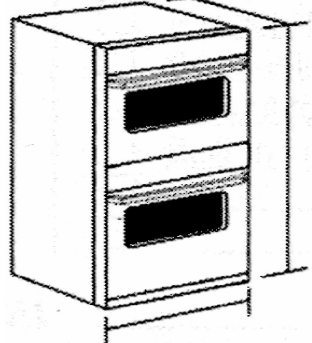


W _____
 H _____
 D _____

Slide-in
 Raised Back


Model No.

Double Oven
(Cut-out Dimensions)



W _____
 H _____
 D _____

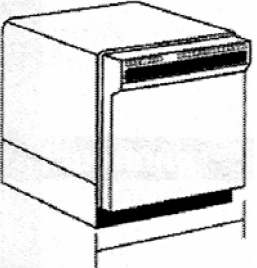
Cook Top Model No.
 (Cut-out Dims.)



W _____
 H _____
 D _____

Front Controls
 Top Controls

Dishwasher Model No.



W _____
 H _____
 D _____

Other Appliances

Description _____

W _____
 H _____
 D _____

Description _____

W _____
 H _____
 D _____

1. HOW TO MEASURE YOUR KITCHEN

To start, draw the shape of your kitchen on the grid paper provided. Each square represents 12 inches.
Note: All measurements must be in inches.

2. MEASURING WALLS

Measure all wall sections and note them on your floor plan.

3. MEASURING WINDOWS AND DOORS

Measure all windows and doors from outer trim and note them on your floor plan. *Note: Measurements should include height, width and distance from the floor.*

4. MEASURING THE CEILING HIGHT

Measure the height of your walls and note them on your floor plan.

5. MEASURING BULKHEADS

If your kitchen has a bulkhead measure the height and the depth and note this measurements on your floor plan.

6. MEASURING APPLIANCES

Measure the height, width and depth of all appliances and note them on your floor plan.

7. IDENTIFYING PLUMBING, GAS AND ELECTRICAL LINES

Measure from the nearest corner to the center of each pipe that currently exists or where you intend to place them. Mark this on your floor plan.

P Plumbing **G** Gas **E** Electrical

8. ADDITIONAL DETAILS

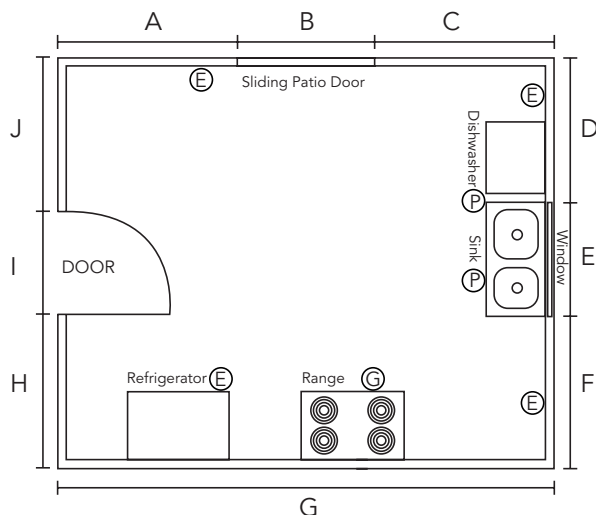
Please note anything that projects in room including radiators, pipes, ventilation, special angels and any other major architectural features. Include their measurements if possible.

9. FINAL STEP

Submit your completed floor plan, photos of your current kitchen, inspirational photos and any additional information at: design@magickhome.com

Due to the varying characteristics of our product materials and the effects of lighting, product shown online may not be an exact match to the cabinetry you will receive. Do not expect all products to be exact in either finish, grain pattern or colour. Therefore, we strongly recommend visiting your nearest MagickHome showroom to view the door styles and finishes, or ordering a door / color sample online, before placing your order.

FLOOR PLAN EXAMPLE



SIDE ELEVATION EXAMPLE

